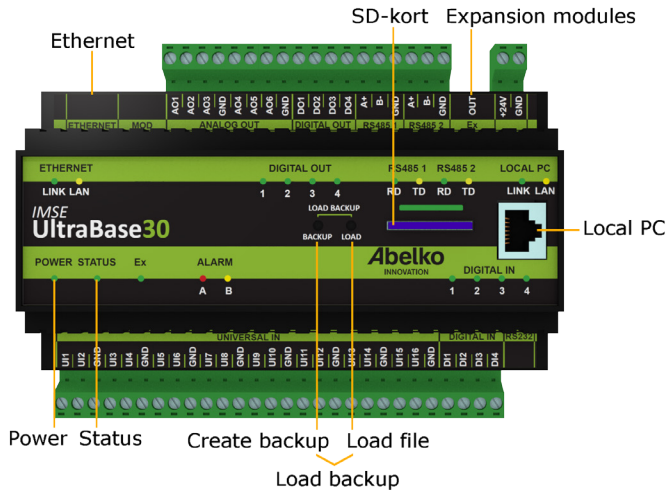


IMSE UltraBase30

Quick start guide

Welcome to Ultra!



Power supply

UltraBase30 is powered by **24 V DC** (NOTE! DC supply), through the terminal at the top right (marked **+24V** and **GND**)



Note! Must be powered by a **stabilized DC power supply**.

Network connection

The unit is connected to a fixed network by the **Ethernet port**, at the top left. Factory default IP number is **10.0.48.94**.

Local PC is used only to connect the unit directly to a PC. It can be used to configure the regular network connection in the Ultra.

When you use the **Local PC**, the computer should be set for **DHCP** (which it usually is).

1. Open a web browser and enter the IP address **https://192.168.142.1** in the address bar. This will take you to the login page.

User name and password the first time you log in:

User name: **config**

Password: **ef56**

2. Go to the menu **Communication** and **Network**, and set the **IP address** and **netmask**. You can also check the **DHCP** box, the unit will then automatically get network settings. After a while, you can see which IP address it received. You can use this IP address to access the device from a PC, connected to the same network.

The **Local PC** port is slower than the **Ethernet**, and should only be used to configure the units network settings.

HTTPS

The first time you log in to an Ultra, you will be warned that the connection is not private, or similar. This is because the HTTPS, that is being used in the system, is a secure and encrypted connection. The security is guaranteed by a certificate, which needs to be issued for a specific IP number. Since the IP address is adjustable, there is no certificate for the unit. You need to add this exception. The procedure differs depending on which browser you are currently using.

Graphical programming

Graphical programming is available as an installable program. Download it at **www.abelko.se** under **Support**.

There is also a link to the program in your units user interface under **Configuration** and **Graphical programming**.

Manuals, updates and other information are available at **www.abelko.se**.